

STEMO 352 Double Pole Remote Sensing Thermostat

Product Data

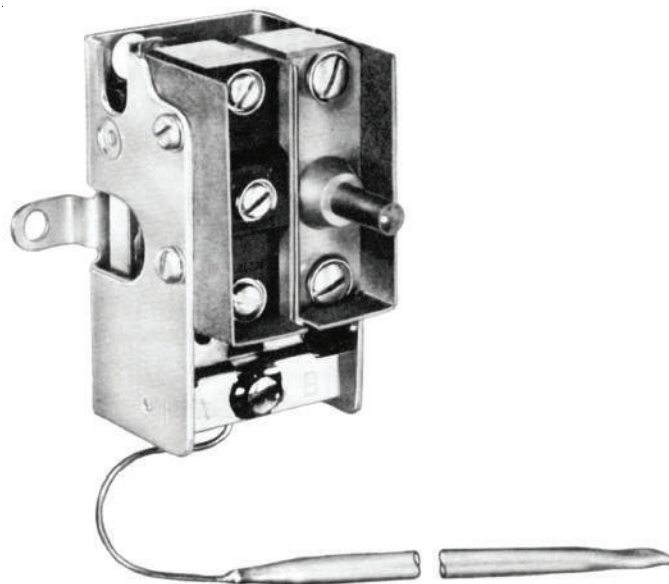
The Type 352 series of Bulb and Capillary thermostat utilizes two separate switches for two stage or double pole switch action. The two switches can be any combination of SPDT Automatic Reset Switches, and/or SPST Manual Reset Switches. The differential between the switches can be factory set very close for Double Pole applications or wider for Multistage applications.

Wiring the two double throw switches in series allows the 352 to be used where a very large differential between on and off is required. The two switches can also be wired together to create a heating/cooling thermostat with deadband.

The combination of an automatic reset and a manual reset switch is ideal for applications where the automatic reset switch is the controlling switch and the manual reset switch is used as a safety or limit switch.

Examples of applications include:

1. Combination heating and cooling. Both heating and cooling devices can be controlled from one thermostat without the need of selector switches.
2. Combination thermostat. With a cycling control or limit switch and manual reset switch, the manual reset can be adjusted to trip at a temperature above the cycling switch to prevent exceeding the setting.
3. Combination fan and limit control.
4. Three phase control.
5. Double line break. Break both sides of a line where required by local codes.
6. Adjustable wide differential thermostat. The 352 series is available as an adjustable model with a D-Shaft for a knob or a slotted shaft for screwdriver adjustment or fixed setting. Both precision snap action switches are controlled by a single adjustment.



352 Remote Sensing Thermostat
Shown with SPDT Automatic Reset Switch, and SPST
Manual Reset Switch.

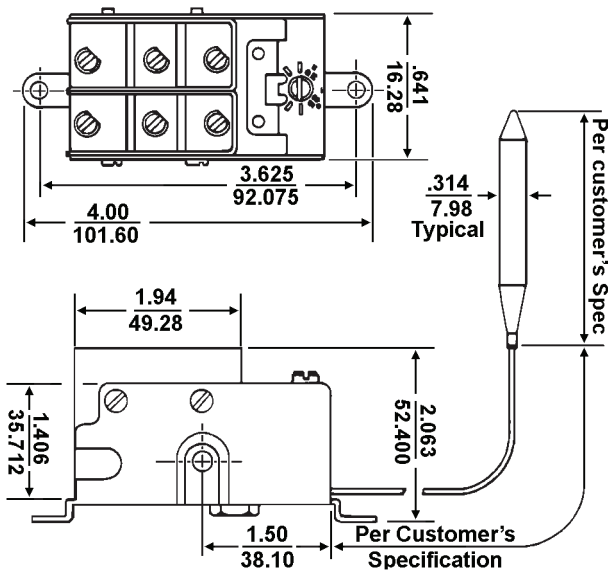
352 Features:

Calibration Range:	0°F-700°F
Range Options:	Adjustable or Fixed
Reset Options:	Automatic and/or Manual
Switch Action:	2 SPDT Switches
Switch Ratings:	15-30 Amps Per Switch
Mounting Options:	Panel, Back or Housed
Housing:	Optional
Terminal Location:	Front
Maximum Ambient:	250°F

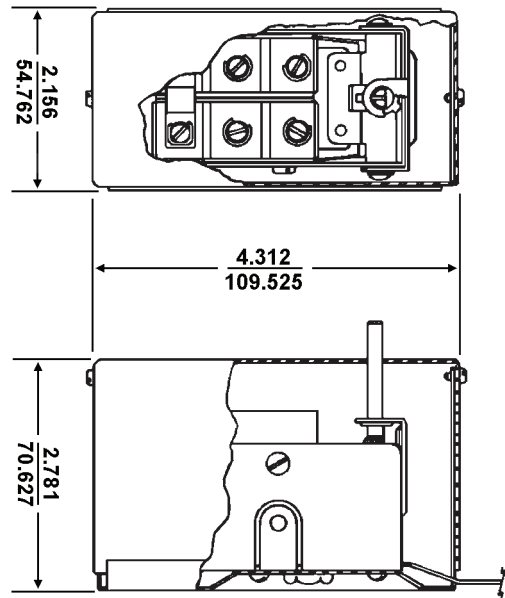
Additional Options:

Adjustable Shafts:	Screw Driver or D Shaft
Compensation:	Not Available
Bulb & Capillary:	Copper, Nickel Plated Copper, One piece Stainless Steel or Two Piece Stainless Steel.

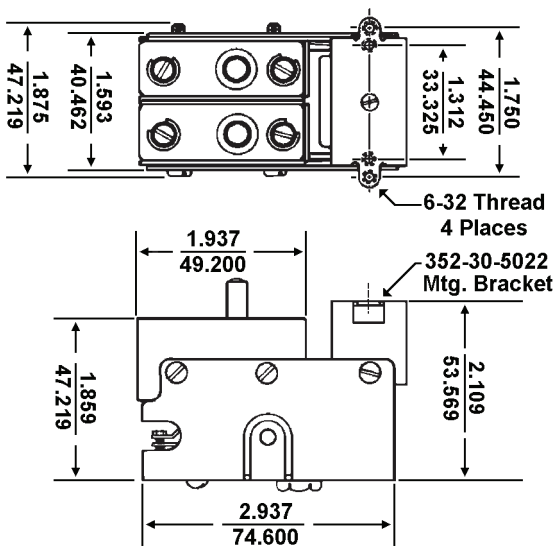
STEMC052 Series Dimensional Drawings



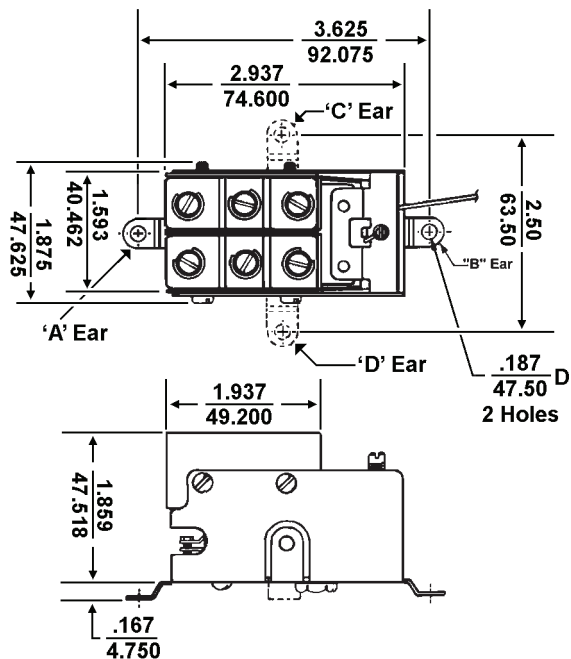
Screw Driver adjustable, shown with back mount, and two SPDT automatic reset switches.



Adjustable with D-Shaft shown with housing, and two SPDT automatic reset switches.



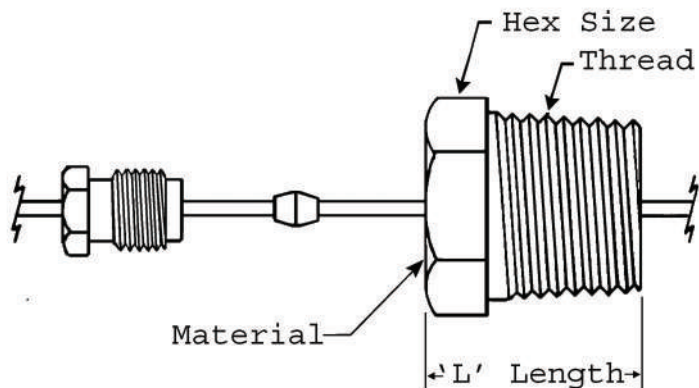
Screwdriver adjustable shown with front panel mount, and two SPST manual reset switches.



Screwdriver adjustable shown with back mount, and two SPDT automatic reset switches. Mounting ear options illustrated.

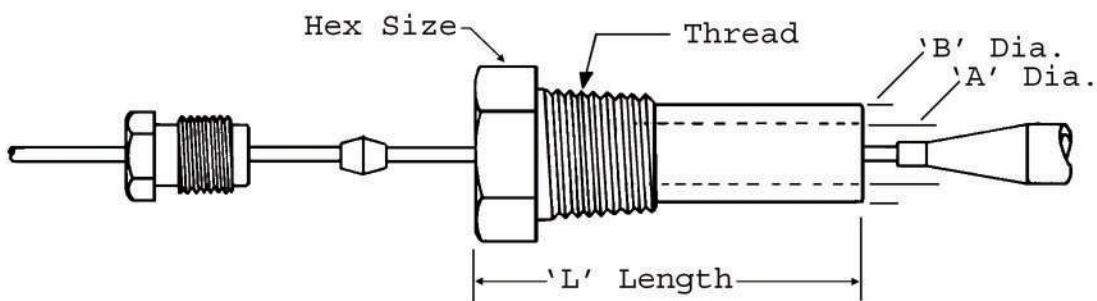
All dimensions inches/millimeters.

STEMO Fittings & Bulb Supports



Standard Fittings

Thread	Material	Hex Size	'L' Length	Finish	Part #
1/8 NPT	Brass	7/16"	.625"	None	368-67-03061
1/8 NPT	S-Steel	7/16"	.625"	None	368-67-03023
1/4 NPT	Brass	5/8"	.750"	None	368-67-03201
1/4 NPT	Brass	5/8"	.750"	Nickel Plate	368-67-03202
1/4 NPT	S-Steel	5/8"	.750"	None	368-67-03161
3/8 NPT	Brass	11/16"	.750"	None	368-67-03001
3/8 NPT	Brass	11/16"	.750"	Bright Nickel	368-67-03001P
3/8 NPT	S-Steel	11/16"	.750"	None	368-67-03002
1/2 NPT	Brass	7/8"	.875"	None	368-67-03101
1/2 NPT	Brass	7/8"	.875"	Bright Nickel	368-67-03102
1/2 NPT	S-Steel	7/8"	.875"	None	368-67-03103



Bulb Support Fittings

Thread	Material	Hex Size	'L' Length	'A' Dia	'B' Dia	Finish	Part #
1/4 NPT	Brass	5/8"	1.620'	.257"	.390'	None	368-67-03241
1/4 NPT	S-Steel	5/8"	1.620'	.147"	.390'	None	368-67-03242
1/4 NPT	S-Steel	5/8"	1.620'	.257"	.390'	None	368-67-03243
1/2 NPT	S-Steel	7/8"	1.372'	.257"	.315'	None	368-67-03261

STEMC352 Series Quote Request

Customer: _____ QR#: _____
 Attn: _____ Date: _____
 Address _____ Cust#: _____
 City _____ State: _____ Zip: _____
 Tel: _____ Fax: _____
 Email: _____
 Salesman: _____ Agency #: _____

Send Quote to: Customer: _____ Rep Agency _____ (Check one or both)

Application: _____
 Comments: _____

Est. Yearly Qty: _____ Target Cost: _____

Load Max. Exposed Temp.: _____ °F. Load _____ Amps. Voltage: _____ AC, or DC _____
 Load Resistive _____, or Inductive _____, Terminals: Screws _____ or 1/4" QC _____

Switch 1: Automatic _____, or Manual _____ Reset. Is O Required?: Yes _____, or No _____

Switch 2: Automatic _____, or Manual _____ Reset.

Note: The 352 series utilizes two switches. For fixed setting models indicate an open temperature and the temperature difference between the open temperature of switch 1 and the open temperature of switch 2. Adjustable models require a high temperature setting, a low temperature setting, and the temperature difference between switches. Please include description of exactly what you want to accomplish with thermostat.

Fixed: Open Temp: _____ °F, Temp Between Switches _____ °F

High Temp: _____ °F, Low Temp: _____ °F

Temp between switches _____ °F.

Adjustable: Calibrate at: High Stop: _____, Low Stop: _____, Mid Point: _____

Shaft Selection: D-Shaft (for Knob) _____, Screw Driver _____,

Stem Height: _____" Diameter: _____"

D-Shaft - Flat Dimension: _____" Flat Position: _____ O'clock

Probe or Bulb: Maximum Exposed Temp.: _____ °F Max Length: _____" Max Dia. _____"

What is Probe _____, or Bulb _____, Immersed into: _____

Capillary: Material: Copper _____, Nickel Plated Copper _____, 1 Pc Stainless Steel _____, or

2 Pc Stainless Steel _____, Length _____" Max Exposed Temp. _____ °F

Mounting: Back mount with Tabs "A" & "B" _____, or Tabs "C" & "D" _____.

Page 2 Front Mount _____.

Housed _____.

1/8": 368-67-30061 _____, 368-67-03023 _____

NPT Fittings: 1/4": 368-67-03201 _____, 368-67-03202 _____, 368-67-03161 _____

Page 3 3/8": 368-67-03001 _____, 368-67-03001P _____, 368-67-03002 _____

1/2": 368-67-03101 _____, 368-67-03102 _____, 368-67-03103 _____

NPT Supports: 1/4": 368-67-03241 _____, 368-67-03242 _____, 368-67-03243 _____

Page 3 1/2": 368-67-0326 _____

Fax Quote Request to Customer Service: 419-818-0897